

RX80
9KG
20LB

RX105
12KG
27LB

RX135
15KG
33LB

Primus RX Range

High efficiency rigid mounted industrial washer extractors



KEY FEATURES

- Rigid mounted, medium spin, 200 G-factor
- Stainless steel top panel & Anthracite grey front and side panels
- Stainless steel drum and tub
- Xcontrol - easy to use microprocessor
- Patented Soap Hopper
- Large drain valve (Ø 76 mm)
- Easy access to all vital parts from the front
- Large door opening for easy loading

OPTIONS

- Xcontrol Plus - Fully programmable
- Coin operated timer (CPS)
- Stainless steel front and side panels
- USB & RS485 plug (on the back panel)
- Easy Soap - liquid soaps connection
- Liquid soap pumps
- Water recovery kit
- Steam heating version
- Drain pump (RX80)
- 3rd water inlet
- 7mm drum perforation (limited 100 G factor)
- IP44 protection



ERGONOMICAL
CONSTRUCTION



LARGE DOOR
OPENING



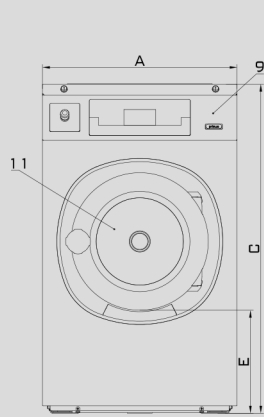
LOW WATER
AND ENERGY
CONSUMPTION

WOLF

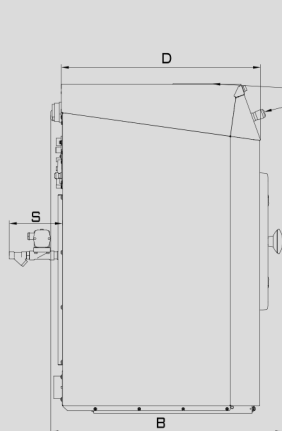
0800 840 9598
www.wolflaundry.co.uk

PRIMUS RX RANGE

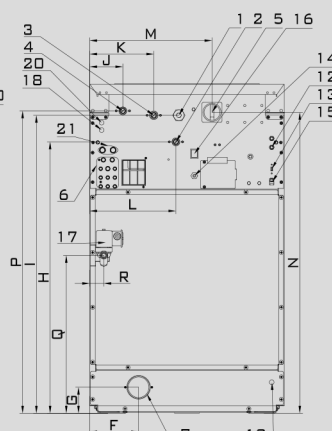
TYPE		RX80	RX105	RX135
INNERDRUM				
Maximum capacity 1:9	kg (lb)	9 (20)	12 (27)	15 (33)
Capacity 1:10	kg (lb)	8 (18)	10.5 (23)	13.5 (30)
Volume	litres	75	105	135
Diameter	mm	530	620	620
DRUM SPEED				
Wash	rpm	50	46	46
Extraction	rpm	820	760	760
G-FACTOR				
		200	200	200
HEATING				
Electricity (standard)	kW	6 / 9	6 / 9 / 12	6 / 9 / 12
Steam	bar	1 - 8	1 - 8	1 - 8
Hot water	°C	90	90	90
Sound pressure level	dB (A)	< 65	< 65	< 65
Water valves connection	BSP	3/4"	3/4"	3/4"
Water pressure	kPa	100-800	100-800	100-800
Rec. water pressure	kPa	300-500	300-500	300-500
Water inlet	l/min	20	20	20-50
Drain valve outer	Ø mm	76	76	76
Flow amount with drain valve	l/min	210	210	210
Steam valve connection	BSP	1/2"	1/2"	1/2"
Steam pressure	kPa	100-800	100-800	100-800
DIMENSIONS				
Size H×W×D	mm	1115x660x785	1225x750x785	1225x750x900
Net weight	kg	135	170	190
TRANSPORT DATA				
Packed H×W×D	mm	1245x710x835	1355x800x835	1355x800x950



Front side



Left side



Rear side

- 1 Electrical connection
- 2 Hot water
- 3 Cold water hard
- 4 Cold water soft
- 5 Main switch
- 6 Liquid soap connection
- 7 Drain
- 8 Soap dispenser
- 9 Control panel
- 10 Button CENTRALSTOP
- 11 Door opening, RX80: Ø 330mm; RX105, RX135: Ø 410mm
- 12 Fuses
- 13 USB port
- 14 Electrical connection to liquid soap pumps

	A	B	C	D	E	F	G	H	I	J	K	L	M	N	P	Q	R	S
RX80	660	785	1115	676	349	166	88	920	1010	113	218	293	415	1020	1025	535	48	180
RX105	970	1105	1410	676	342	225	98	1030	1120	113	218	338	505	1130	1135	480	42	192
RX135	970	1185	1410	788	342	225	98	1030	1120	113	218	338	505	1130	1135	480	42	192